



# VENICE LIGHTS

DIRECT VENT GAS FIREPLACES



*astria*  
FIREPLACES®

*Contemporary*  
Fireplace  
Design Collection



*FEATURED Venice Lights shown with Clear Glass Media and See Through Conversion*

## **VENICE LIGHTS**

The Venice Lights direct vent gas fireplace is a versatile linear design for a dramatic appearance in a variety of room applications. Standard features include ceramic glass and in floor lighting to illuminate a variety of colorful glass pebbles. The expansive viewing area provides an uninterrupted display of the active flame pattern. Available in indoor or indoor/outdoor see through configurations, the Venice Lights provides endless possibilities for any modern living area.



*Featured Venice Lights shown with Amber Glass Media*

## Options

### Glass Media (Required)

Choose from Blue, Amber, Green, or Speckled Orange to complement your décor (Clear Glass Media comes standard).



Clear (standard)



Blue



Amber



Green



Speckled Orange

## EXCLUSIVE FEATURES

- ✦ 43" front open linear configuration
- ✦ See through conversion kits with tempered glass available to transform the fireplace into a see through model or indoor/outdoor see through model
- ✦ Gas controls are conveniently hidden in the fireplace floor
- ✦ Electronic ignition with battery backup to operate in the event of a power outage
- ✦ Active, dancing flames help to accentuate the ambiance in any room
- ✦ Three flame settings for precise heat control
- ✦ Clean-face design features ceramic glass for optimum heat transfer and 2015 ANSI barrier compliant
- ✦ Three-piece black porcelain interior liners
- ✦ Mood enhancing fireplace interior lighting, with six distinctive illumination settings
- ✦ Optional decorative face trim in three designer options
- ✦ Deluxe remote control (Flame, lighting, IPI/CPI)
- ✦ Now uses IHP SV4.5 vent pipe
- ✦ Limited Lifetime Warranty

## Decorative Face Trim (Optional)

Choose from three decorative face trims to customize to your decor.



Aged Silver



Aged Copper



Black

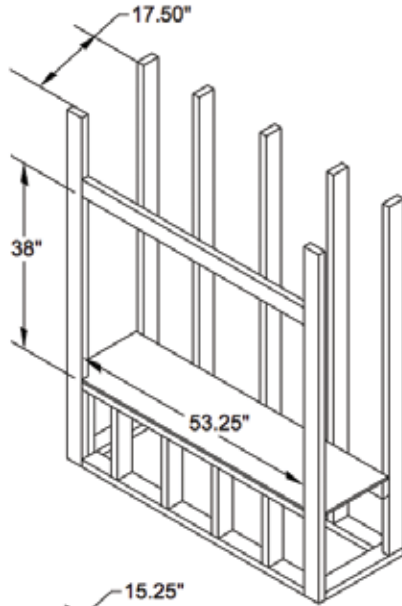


Remote included

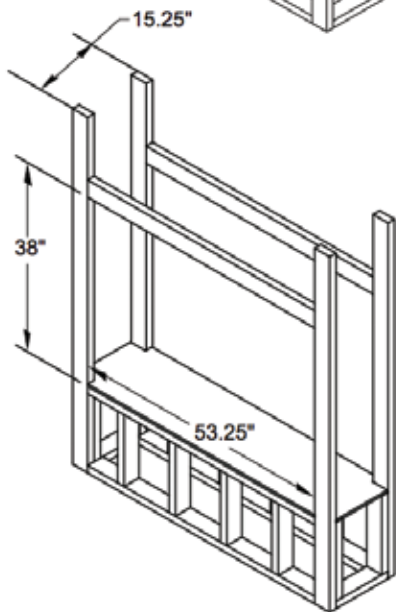


## FRAMING SPECIFICATIONS

ONE SIDED APPLICATION

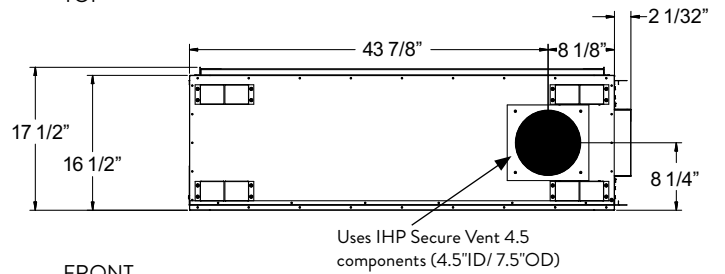


SEE THROUGH APPLICATION

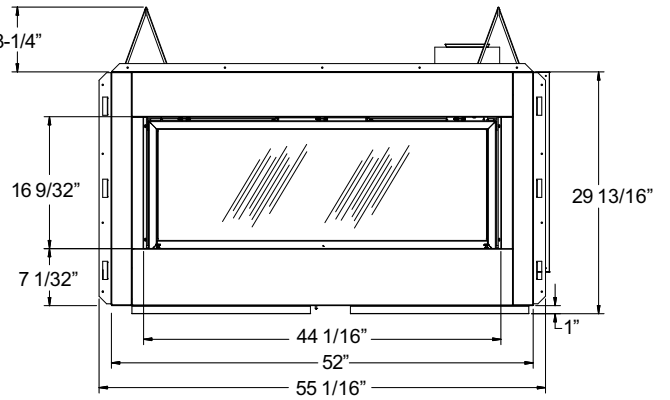


## APPLIANCE SPECIFICATIONS

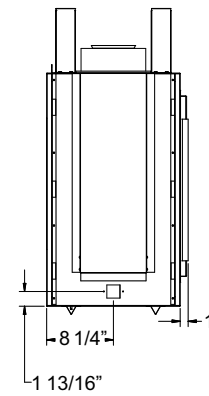
TOP



FRONT



SIDE



## FIREPLACE EFFICIENCIES – Listed to ANSI Z21.50 as a decorative gas appliance.

MODEL	FUEL	BTU/HR	AFUE*
VENICE LIGHTS 43	NG	22,000-35,000	45.91%
VENICE LIGHTS 43	LP	24,000-33,000	42.15%

\*Annual Fuel Utilization Efficiency (AFUE) is the recognized U.S. rating system for the total efficiency of heating products.



Approved for use with European Copper and Chimney Classics chimney tops, which improve performance and add an elegant touch.

### IMPORTANT NOTES:

As with any fireplace, this appliance is extremely hot during operation. Read and understand all operating instructions before using this appliance. For further information, consult your dealer.

Local conditions, such as elevation, wind, vent configuration and choice of fuel will affect overall appearance of the fire and heating performance. Performance can also vary with home design and insulation, climate, condition and type of fuel used, appliance location, burn rate, accessories chosen, chimney installation and how the appliance is operated.

Diagrams, illustrations and photographs are not to scale—consult installation instructions. Product designs, materials, dimensions, specifications, colors and prices are subject to change or discontinuance without notice.

**astria**  
FIREPLACES®

© 2015 Innovative Hearth Products

785622M 01/15

Visit us online



Astria.us.com

