



GEMINI™

DIRECT VENT GAS FIREPLACES



astria
FIREPLACES®

Traditional
Fireplace
Design Collection



FEATURED Gemini shown with Buff Stacked Ceramic Fiber Liners

GEMINI

Unpretentious yet charming, the beautifully designed Astria Gemini Series Direct Vent Gas Fireplaces offer stylish comfort, built-in efficiency and intrinsic value. With desirable features and reliable performance, the Astria Gemini Series will transform an ordinary house into a cozy home.



Beautifully crafted ceramic fiber oak log set with diamond-shaped heavy-duty grate

Options

Interior

Ceramic fiber liner kits available in a choice of colors.



Black Painted Interior
(standard)



Buff Stacked



Vintage Red Stacked



Old Town Red
Herringbone

EXCLUSIVE FEATURES

- ◆ Available in 33", 35", 40" and 45" clean-faced models
- ◆ Combo top/rear flue configuration (33" model is a dedicated top or rear)
- ◆ Millivolt or electronic ignition with seamless battery backup to provide continued operation in the event of a power outage (IPI/CPI switch standard)
- ◆ Wall switch provides variable flame settings (electronic models only)
- ◆ Outstanding heating efficiency for increased comfort and lower operating costs
- ◆ Standard tempered glass and 2015 ANSI barrier compliant
- ◆ Beautifully crafted ceramic fiber "oak" log set with 1/2" diamond-shaped heavy-duty grate
- ◆ Black painted interior (optional ceramic fiber liners available)
- ◆ Durable textured powder coat finish
- ◆ Optional blower and remote control available for all models
- ◆ Limited Lifetime Warranty

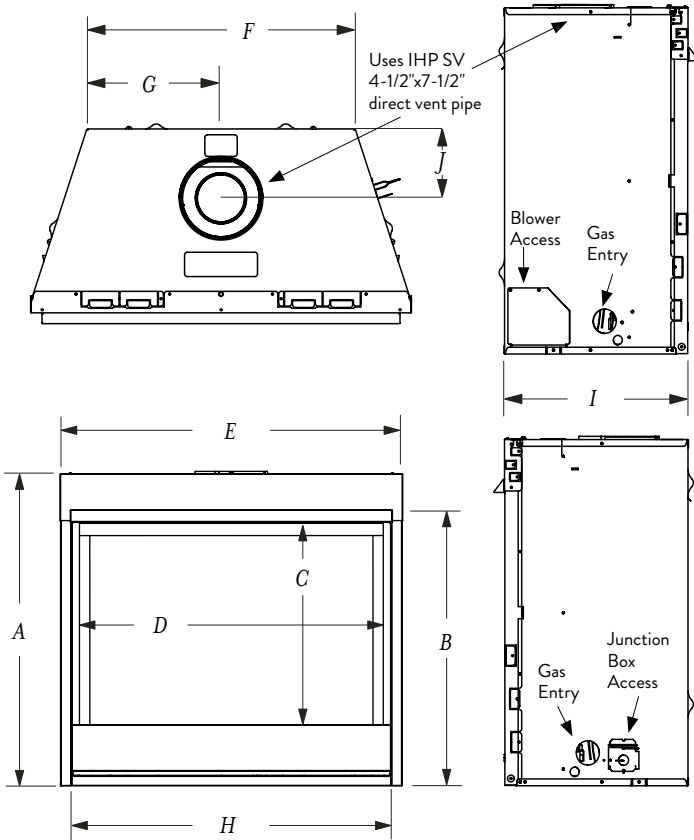
ADDITIONAL OPTIONS

- ◆ Choice of blower with multiple control options
- ◆ Remote & wall mounted controls



Optional touch remote

APPLIANCE SPECIFICATIONS



	GEMINI 33	GEMINI 35	GEMINI 40	GEMINI 45
A	30-1/8"	32-1/8"	37-1/8"	37-1/8"
B	26-1/4"	28-3/4"	33-1/4"	33-1/4"
C	18-5/16"	22-1/4"	27-1/4"	27-1/4"
D	30-1/2"	32-3/8"	37-3/8"	42-3/8"
E	33-5/8"	35-1/4"	40-1/4"	45-1/4"
F	21-7/8"	25"	30"	35"
G	10-15/16"	12-1/2"	15"	17-1/2"
H	31"	32-7/8"	37-7/8"	42-7/8"
I	14"	17"	17"	17"
J	5-3/4"	6-7/8"	6-7/8"	6-7/8"

On the cover: Gemini shown with Black Painted Interior

IMPORTANT NOTES:

As with any fireplace, this appliance is extremely hot during operation. Read and understand all operating instructions before using this appliance. For further information, consult your dealer.

Local conditions, such as elevation, wind, vent configuration and choice of fuel will affect overall appearance of the fire and heating performance. Performance can also vary with home design and insulation, climate, condition and type of fuel used, appliance location, burn rate, accessories chosen, chimney installation and how the appliance is operated.

Diagrams, illustrations and photographs are not to scale—consult installation instructions. Product designs, materials, dimensions, specifications, colors and prices are subject to change or discontinuance without notice.

astria
FIREPLACES®

© 2014 Innovative Hearth Products

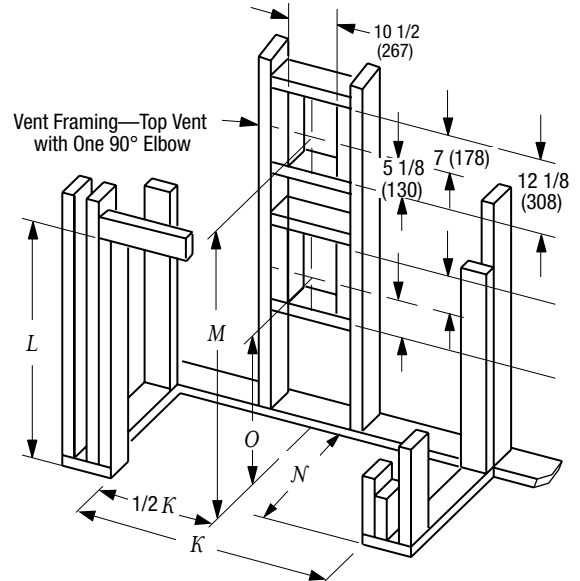
785580M 01/15

Visit us online



Astria.us.com

FRAMING SPECIFICATIONS



	GEMINI 33	GEMINI 35	GEMINI 40	GEMINI 45
K	33-3/4"	35-3/8"	40-3/8"	45-3/8"
L	34-1/4"*	36-1/4"*	41-1/4"*	41-1/4"*
M	36-7/8"	38-3/4"	43-3/4"	43-3/4"
N	14-1/2"	18"	18"	18"
O	19-5/8"	23-3/8"	28-1/4"	28-1/4"

* Includes 4" for fold-up standoffs

FIREPLACE EFFICIENCIES

MODEL	FUEL	BTU/HR	AFUE**	P4 / ENERGUIDE*
GEMINI 33	NG	14,000	65%	60.0% / 63.0%
GEMINI 33	LP	13,000	65%	60.0% / 63.0%
GEMINI 35	NG	16,000	66%	61.0% / 63.0%
GEMINI 35	LP	15,000	66%	61.0% / 63.0%
GEMINI 40	NG	20,000	66%	61.0% / 63.0%
GEMINI 40	LP	19,000	66%	61.0% / 63.0%
GEMINI 45	NG	21,500	67%	61.0% / 63.0%
GEMINI 45	LP	21,500	67%	61.0% / 63.0%

*Intermittent ignition systems. Millivolt/Electronic.

**Annual Fuel Utilization Efficiency (AFUE) is the recognized U.S. rating system for the total efficiency of heating products.



Approved for use with European Copper and Chimney Classics chimney tops, which improve performance and add an elegant touch.

Canada

ENERGUIDE

Look for the **EnerGuide**
Gas Fireplace Energy
Efficiency Rating in this brochure

Based on CSA P.4.1-02

PFS
C US

