



ATLAS

VENT-FREE GAS FIREBOXES



astria  
FIREPLACES®

*Traditional*  
Fireplace  
Design Collection



*FEATURED Atlas42 Vent-Free Firebox with White Herringbone Refractory Panels and Southern Comfort Log Set*

## **ATLAS**

The Atlas's extra tall opening accentuates a variety of standard features to anyone familiar with real masonry fireplaces. The refractory panels are available in traditional white stacked and white herringbone patterns, with integrated ash lip. These fireboxes do not require heat deflection hoods and readily accept a large variety of vent-free logs.

**Interior (Required)**

Choose from White Stacked or White Herringbone Refractory Panels.



White Stacked



White Herringbone

**OPTIONAL ACCESSORIES**

A. Blower Kits

B. J-Box kit (required for use with optional blower)

C. Outside air kit

D. Vent-free gas logs

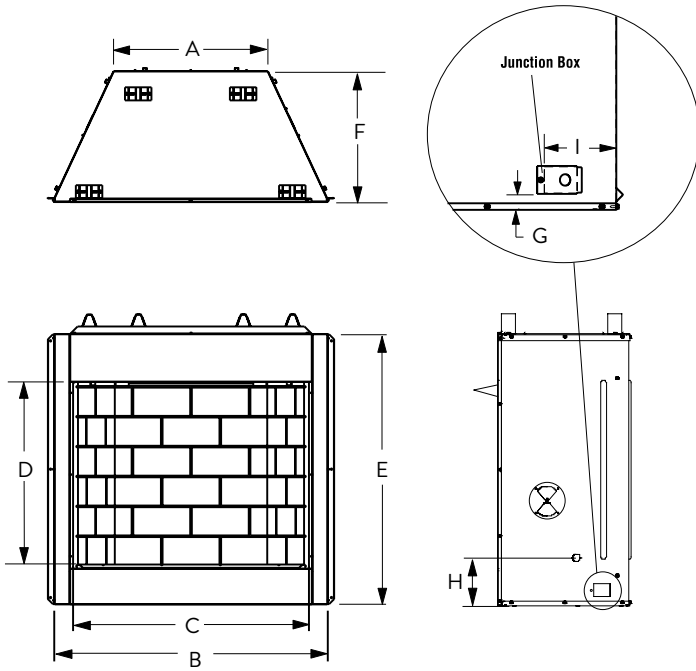


Decorative Twin Pane Screen Door

**EXCLUSIVE FEATURES**

- ✦ Available in 36" and 42" radiant smooth-faced model
- ✦ Tall 28" opening accepts up to 30" vent-free gas logs
- ✦ White stacked refractory panels (sides, back and hearth with ashlip)
- ✦ Optional heat deflection hood (not required)
- ✦ Includes mesh fire screens
- ✦ Optional outside air kit
- ✦ Optional blower (J-Box kit required)
- ✦ Durable textured powder coat finish
- ✦ Lifetime Limited Warranty

## APPLIANCE SPECIFICATIONS

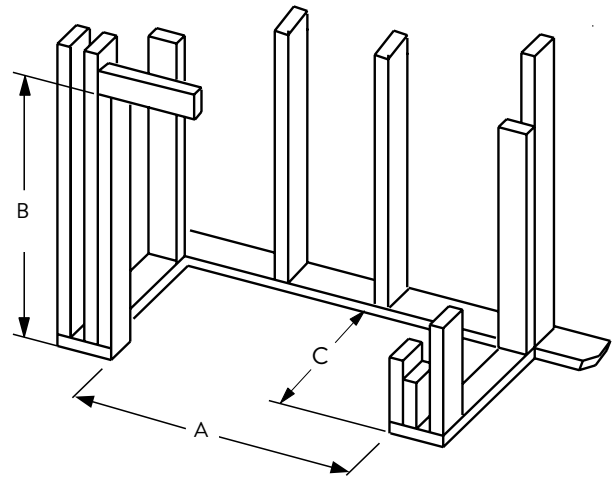


### ATLAS 36

### ATLAS 42

A	23-1/2"	29-1/2"
B	41-3/4"	47-3/4"
C	36"	42"
D	28"	28"
E	41-1/4"	41-1/4"
F	20"	20"
G	1-5/16"	1-5/16"
H	8-3/8"	8-3/8"
I	5-1/2"	5-1/2"

## FLAT WALL FRAMING SPECIFICATIONS



### ATLAS 36

### ATLAS 42

A	42 1/4"	48 1/4"
B	44 1/4"	44 1/4"
C	20-1/2"	20-1/2"

### IMPORTANT NOTES:

As with any fireplace, this appliance is extremely hot during operation. Read and understand all operating instructions before using this appliance. For further information, consult your dealer.

Local conditions, such as elevation, wind, vent configuration and choice of fuel will affect overall appearance of the fire and heating performance. Performance can also vary with home design and insulation, climate, condition and type of fuel used, appliance location, burn rate, accessories chosen, chimney installation and how the appliance is operated.

Diagrams, illustrations and photographs are not to scale—consult installation instructions. Product designs, materials, dimensions, specifications, colors and prices are subject to change or discontinuance without notice.

**astria**  
FIREPLACES®

© 2015 Innovative Hearth Products  
785449M 01/15

Visit us online



Astria.us.com

