

PELLET STOVES AND INSERTS BY



THE GREAT INDOORS



HARD WORKING HEAT

Because that's the only way to work.

The toughest jobs are often the most rewarding. And at the end of every day, that's what matters.

Hard work inspired the IronStrike brand. The IronStrike name signifies a product that is made to perform, built to last a lifetime and as efficient as you are. It's our way of making life simpler and a lot more enjoyable. Because coming home should be the easy part.

So go ahead—make yourself comfortable. You've earned it.









BIG WARMTH, SMALL FUEL COST

Like all IronStrike products, this collection was made to work harder. Our pellet stoves and pellet insert burn hotter using inexpensive fuel - and less of it. In fact, a single load of pellets can provide up to 40 hours of continuous warmth. Now that's economical.

EFFICIENCY, MEET WARMTH.



Winslow PI40 shown with Brushed Nickel Louvers and Brushed Nickel Trim.

BUILT FOR PERFORMANCE

Heavy steel construction and a solid welded heat exchanger come together to deliver quality and superb heating performance.

INTEGRATED HEAT EXCHANGER

The integrated heavy-gauge steel heat exchanger paired with the standard blower maximize the heat output into the room. There will be no more cold winter nights.





Available as a stove or insert, the Winslow™ delivers inviting, efficient and reliable heat in an attractive unit that can be customized to complement your home décor. Ease of use and serviceability are designed right into the Winslow with convenient features and Smart Heat™ technology provides the ultimate in precision heating and comfort control.

WINSLOW PS40

The Winslow™ offers powerful, efficient, and fully automatic heating with a variety of design and convenience features to complement your home.

HEATING CAPACITY: 900 - 2,000 square feet

BTU INPUT: 39,500 - BTUs/hour

EFFICIENCY: 87.3%

Winslow™ shown with Gold trim and Gold grille.



WINSLOW PI40

The Winslow™ pellet insert delivers inviting and reliable heat in an attractive style that can be customized to complement any home.

HEATING CAPACITY: 900 - 2,000 square feet

BTU INPUT: 37,800 - BTUs/hour

EFFICIENCY: 87.3%

Winslow™ shown with Brush Nickel trim finish and Brushed Nickel grille.





MONTAGE

This stove is the ultimate in modern comfort—beauty, efficiency and, above all, performance. The Montage™ effectively burns standard-grade fuel, saving expense while delivering dependable, low-maintenance heat.

HEATING CAPACITY: 900 - 1,800 square feet

BTU INPUT: 32,000 BTUs/hour

EFFICIENCY: 82%

Montage™ shown with Contemporary trim kit.

TAKE CONTROL OF YOUR COMFORT

Manage your comfort with the touch of a button. If you come home to a cold house, press the “Start” button and automatic ignition gets a fire going. Choose between 5 levels of heating and 5 levels of air circulation to dial in just the right amount of heat output to keep your family cozy.



LIKE WHAT YOU SEE?
Visit us online at IronStrike.us.com

CUSTOMIZE YOUR STOVE

OPTIONAL ACCESSORIES

WINSLOW PS40 (PELLET STOVE) AND WINSLOW PI40 (PELLET INSERT)

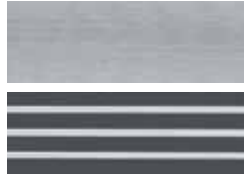
Mix and match door and grille finishes to create a unique look.



Black



Nickel



Brushed nickel



Black nickel

Choose a brick panel or the decorative log set.



Brick Liner



Log Set

This option only applies to the Winslow PI40 Pellet Insert. Choose a Surround size based on your existing fireplace then a Trim finish.

41" W X 29"H

48" W X 29"H

41" W X 33"H

48" W X 33"H

Surround Sizes



Trim Finish

Black
Nickel

MONTAGE

Choose from four Trim kits to create the perfect stove.



Arch



Artisan



Contemporary



Cast-iron Gothic Arch



Choose an optional log set to create the look you desire.

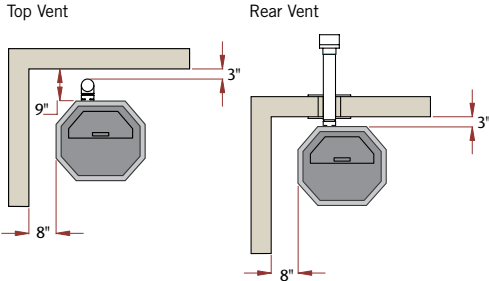
LIKE WHAT YOU SEE?
Visit us online at IronStrike.us.com

SPECIFICATIONS

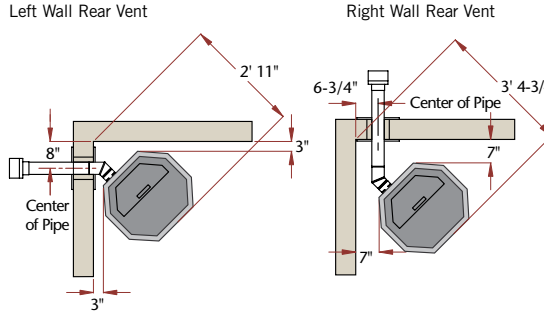
WINSLOW™ PS40

This appliance must be installed in accordance with local building codes. In corner installations, the minimum clearances to side walls vary depending on whether the vent goes through the left or right wall.

SIDE WALL/BACK WALL Fig. 1

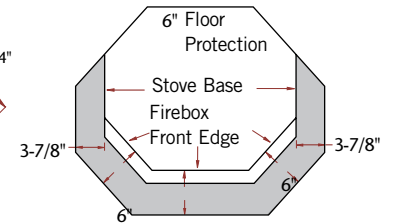


CORNER Fig. 2



HEARTH PROTECTION

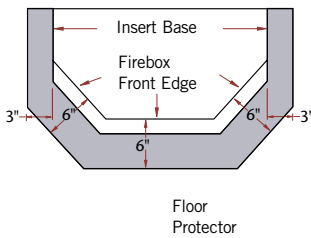
Minimum Floor Protection for Winslow PS40



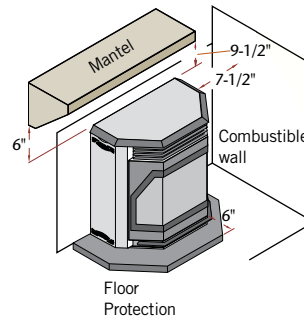
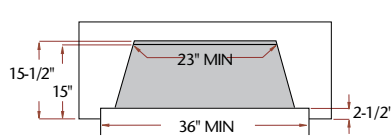
WINSLOW™ PI40

Allowing larger clearances will increase accessibility for ease of maintenance and cleaning.

Minimum Floor Protection



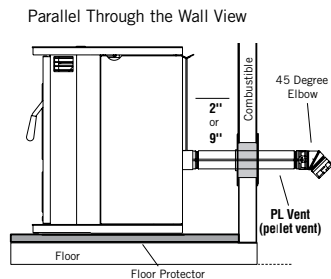
Minimum Fireplace Dimensions



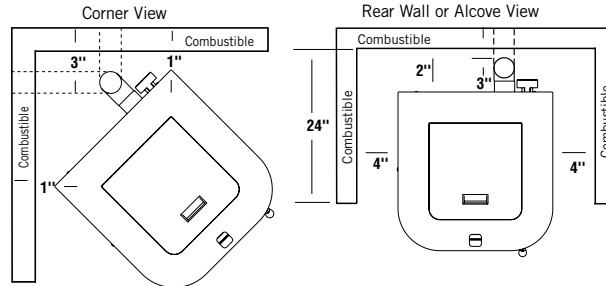
MONTAGE™

Minimum clearances specified may not allow for ease of operation and maintenance. Please keep this in mind when considering the installation.

SIDE WALL/BACK WALL Fig. 1



CORNER Fig. 2



CLEARANCES FOR PELLET STOVES AND PELLET INSERT

DIMENSIONS

| | Winslow PS40 | Winslow PI40 | Montage |
|--------|--------------|--------------|---------|
| Width | 26-1/4" | 26-1/4" | 23" |
| Height | 31" | 23-3/8" | 28-3/8" |
| Depth | 23-1/4" | 29-3/4" | 21-3/4" |



© 2015 Innovative Hearth Products

785489M 05/15

Visit us online



IronStrike.us.com

