



THE WESTPORT | STEEL
FREESTANDING GAS STOVE





THE WESTPORT | STEEL FREESTANDING GAS STOVE

Gas Stove Details

Maximum BTU Input	30,000 BTU
Minimum BTU Output*	9,000 BTU
Area Heated**	1700 ft ²
Steady State Efficiency	71%
EnerGuide FE Rating	60%
Outer Construction	14 Gauge Steel

* Formula = 30k BTU Max Output - 50% Turn Down × 60% FE Rating

** Efficiency and area heated will vary according to gas type and venting.
Approved for sale in Canada and the United States.

Clearance to Combustibles

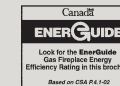
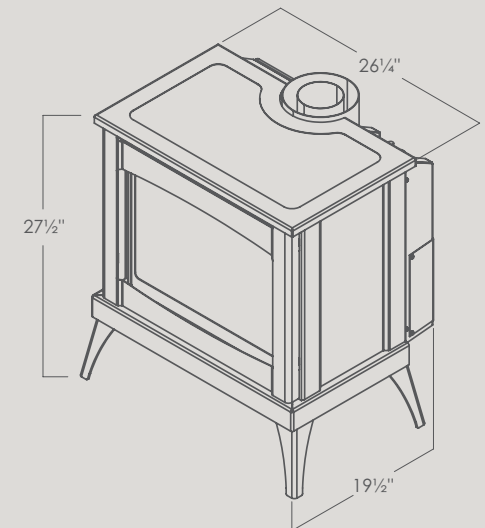
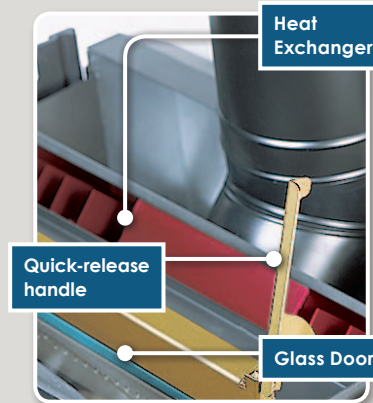
Min. distance to the sides of the unit	11"
Min. non-combustible surface behind the unit	2.5"
Min. non-combustible surface from above the unit	42"

Please see owner's manual for more information

Westport Features

- Field conversion kit NG to LP
- Thermostat or remote compatible
- Ceramic log set
- 5mm ceramic glass
- Heavy duty heat exchanger
- Metallic black paint
- Easy access controls
- Battery powered ignition system
- Direct vent system
- Quick release glass door system
- Top vent / rear vent convertible
- Optional 180 CFM variable speed fan
- Safety Screen
- Optional B Vent Adaptor

The Westport uses a heavy-duty heat exchanger and quick release glass door system for easy cleaning.



Please share and recycle this brochure

Manufactured by Sherwood Industries Ltd ▪ Victoria, BC, Canada
enviro.com ▪ info@enviro.com ▪ Printed in Canada, January 2015